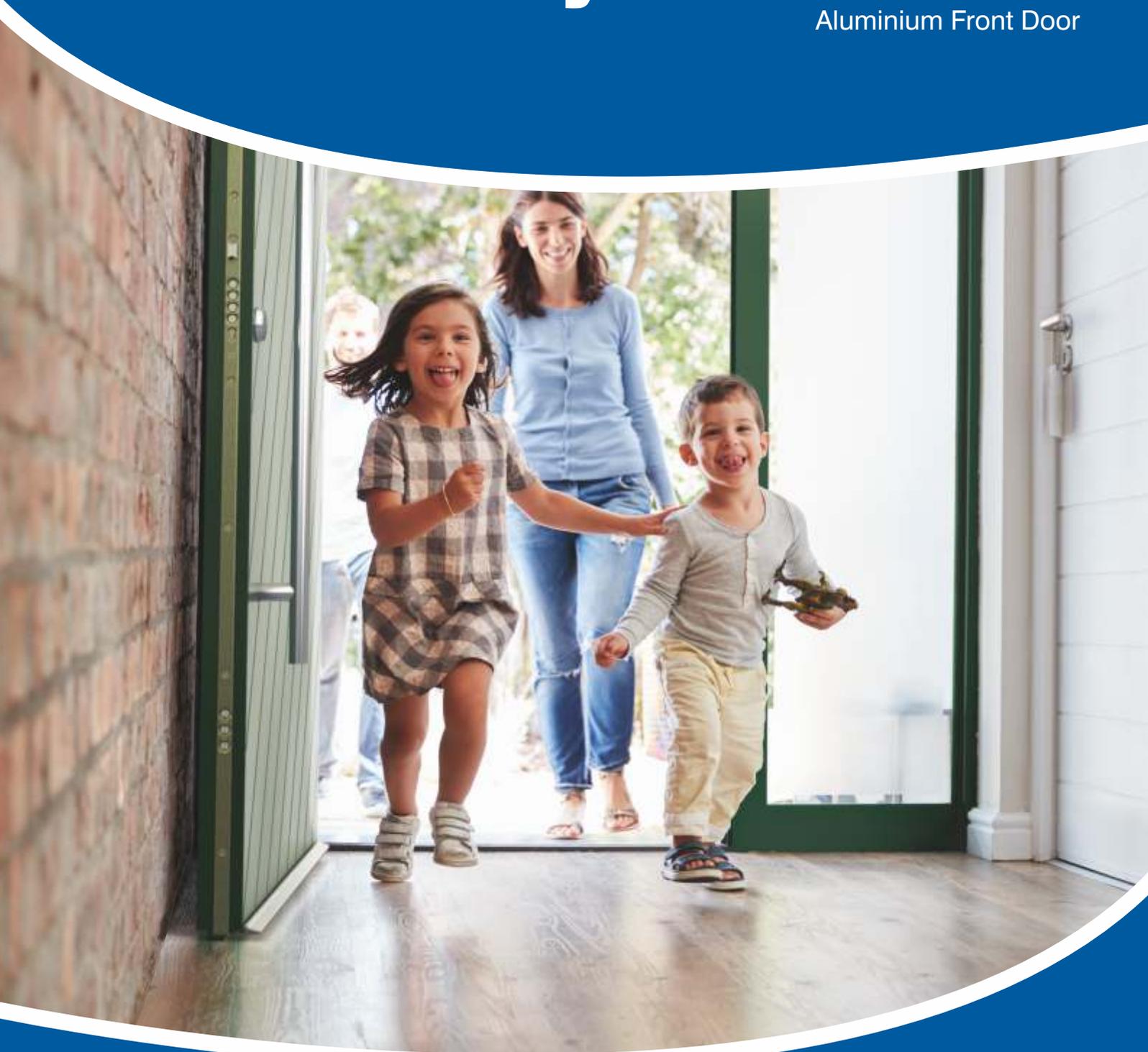


# Luxury Plus Doors

Aluminium Front Door



DURATION  
WINDOWS



# *Stylish* & Secure **Aluminium Front Doors**



Bringing you peace of mind with the most secure doors. From traditional Victorian, Georgian and Edwardian designs to contemporary chic, our Luxury Plus front doors offer a wide range of designs, colours and styles for you to choose from. Whichever door suits your home, you can be sure of its outstanding performance, with precision construction & high quality materials combining to give unbeatable strength and security.

Our Luxury Plus front door comes with a choice of 10 point locking or slam lock, which, in combination with the 66mm triple glazed security glass, offers complete peace of mind.

Successfully tested to PAS 24:2016 Enhanced Security Performance.

## Key Features

- Tested to PAS 24:2016 Enhanced Security Performance.
- Choose between high security 10 point multi lock or slam lock.
- 66mm triple glazed units including laminated security glass.
- Thermally efficient with U-Values as low as 1.1W/M<sup>2</sup>K.
- 3 adjustable hinges and resistant to 80kg of pressure per hinge.
- 'Polyamide' thermally broken aluminium profiles.
- EPDM gaskets provide enhanced weather protection.
- Powder coated to Qualicoat and EN 12206-1 standards.
- Made-to-measure to your exact specifications.
- Available in a range of flat (smooth) or textured finishes.
- Can be fitted direct to brick or into new or existing timber frames.
- Full range of accessories to suit all design needs.

## Options

- 40 designs to choose from.
- Low threshold available.
- Range of projection cills available.

## Performance

Our doors are designed to provide the best performance possible. With the longevity of aluminium and minimal maintenance needed these doors are designed to last the test of time.

U-Value  
W/M<sup>2</sup>K



Air  
Permeability



Water  
Tightness



Wind  
Resistance



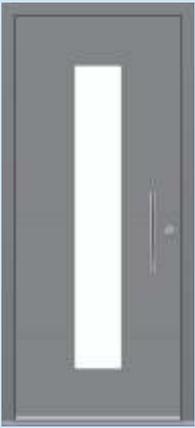
\*All u-values and testing subject to confirmation and glass spec.



**Certified**  
PAS 24: 2016



# The Modern Range



Amersham  
DM0001



Amersham  
DM0029



Ashwell  
DM0002



Bloomsbury  
DM0003



Broadstone  
DM0004



Canonbury  
DM0005



Clifton  
DM0006



Eastleigh  
DM0007



Falmouth  
DM0008



Hambleton  
DM0009



Kensington  
DM0012



Kingsbridge  
DM0011



Lymington  
DM0013



Marlborough  
DM0014



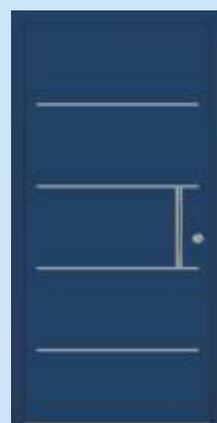
Mayfair  
DM0017



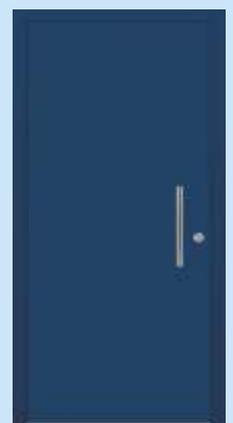
Oakham  
DM0015



Oakham  
DM0030



Oxford  
DM0031



Oxford  
DM0041



Pembroke  
DM0016



Pimlico  
DM0020



Purbeck  
DM0018



Richmond  
DM0022



Rushcliffe  
DM0019



Sherbourne  
DM0021



Shipston  
DM0023



Teddington  
DM0024



Westbury  
DM0028



Winchester  
DM0026



# Traditional Range



Axbridge  
DT0009



Churchill  
DT0010



Coleford  
DT0008



Edwardian  
DT0003



Edwardian  
DT0013



Edwardian  
DT0025



Edwardian  
DT0026



Elberry  
DT0002



Elberry  
DT0023



Elberry  
DT0024



Purton  
DT0011



Regency  
DT0005



Regency  
DT0015



Regency  
DT0030



Regency  
DT0031



Somerton  
DT0012



Victorian  
DT0006



Victorian  
DT0016



Victorian  
DT0032

# Colours

Luxury Plus doors are available in a range of colours and can be single or dual colour (different colours interior to exterior). Please see some examples below.

## DUR Colours - Flat Paint Finish

Std White  
(9010 G)



White  
(9010 M)



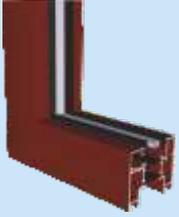
Black  
(9005 M)



Dark Grey  
(7016 M)



Dark Red  
(3004 M)



Dark Blue  
(5011 M)



Dark Green  
(6009 M)



## Trend Colours - Textured Paint Finish

Anthracite Grey  
(DUR 14 ST)



Velour White  
(DUR 001 T)



Silver Grey  
(DUR 017 T)



Vulcan Black  
(DUR 014 T)



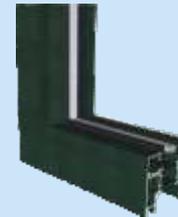
Obsidian Black  
(DUR 013 T)



Steel Blue  
(DUR 028 T)



Antique Green  
(DUR 012 T)



Basque Red  
(DUR 032 T)



This is only a selection of the available colours. Please visit our website for more options. For technical reasons associated with colour reproduction the images only give an indication of shade. No guarantee can be given that they will exactly match the powder coated product.

## Hardware

Pole handles come in 4 sizes:  
400mm  
1000mm  
1400mm  
1800mm



Escutcheon



Letter Box



External Handle  
Round Knob



Knocker



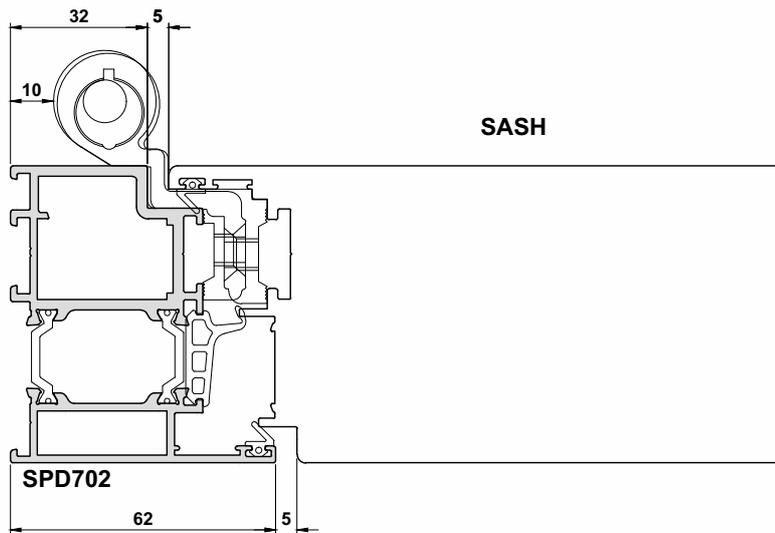
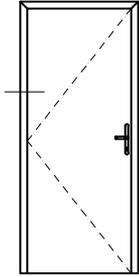
Hardware colours:  
Pole handles - Steel only.  
All other hardware - Gold, Chrome or Brushed Steel/Graphite.

Full hardware details are yet to be confirmed.

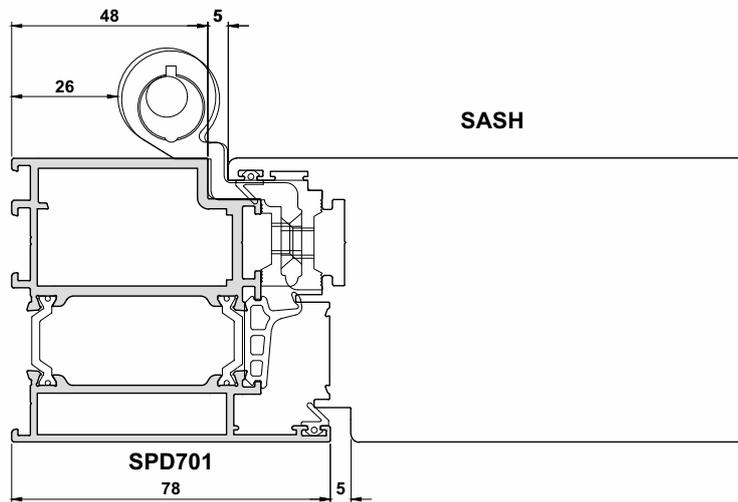
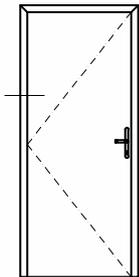


# Technical

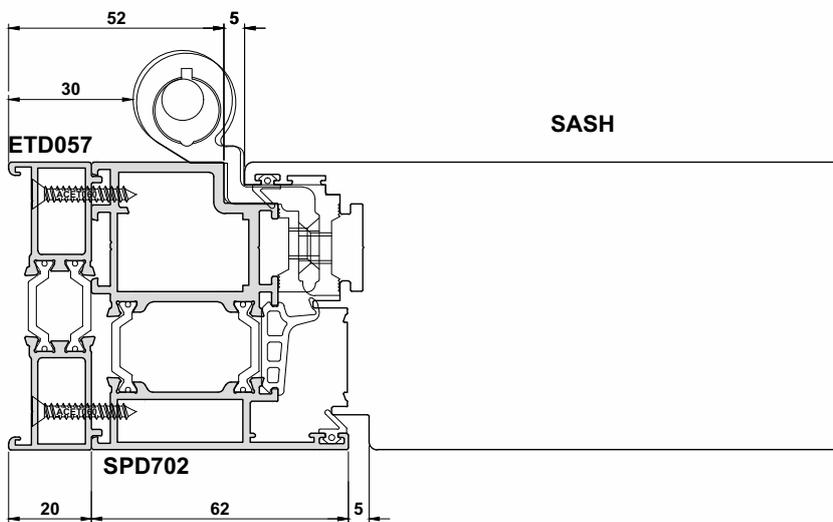
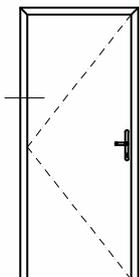
**Hinge Jamb 1**  
SPD702 Outerframe



**Hinge Jamb 2**  
SPD701 Deep Outerframe



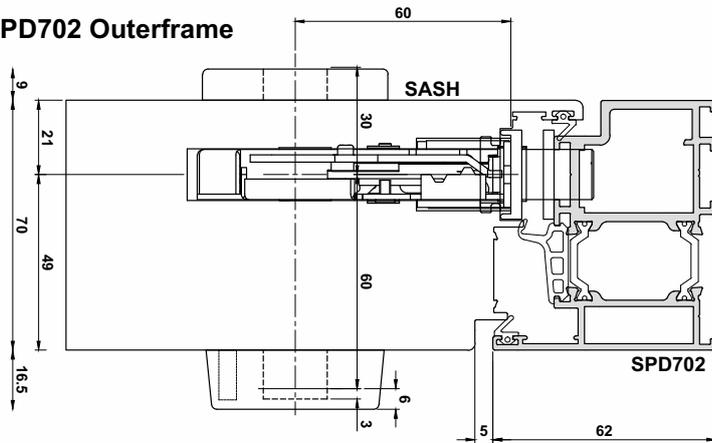
**Hinge Jamb 3**  
SPD702 Outerframe with  
ETD057 20mm Extension



# Technical

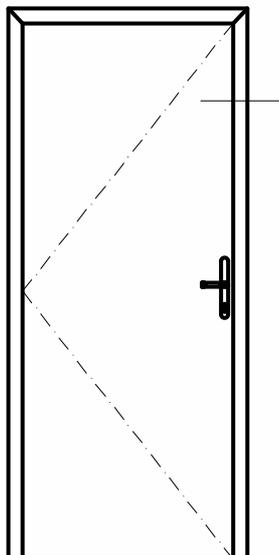
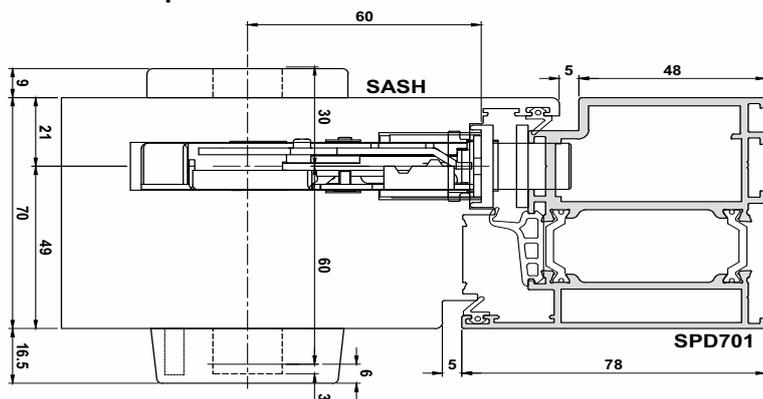
## Lock Jamb 1

SPD702 Outerframe



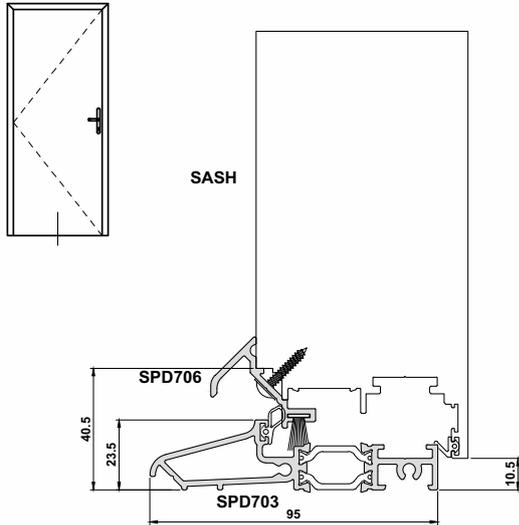
## Lock Jamb 2

SPD701 Deep Outerframe



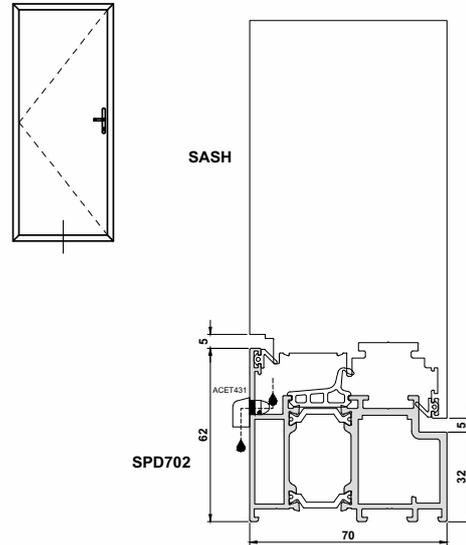
## Threshold A

SPD703 Low Threshold



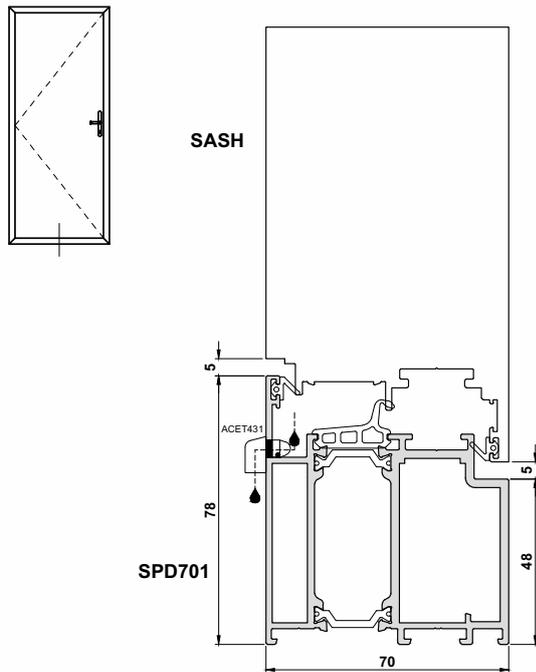
## Threshold B

SPD702 Outer Frame



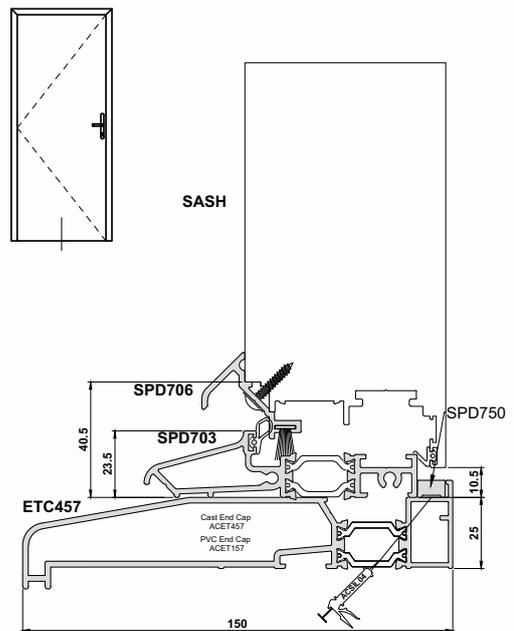
## Threshold C

SPD701 Deep Outer Frame



## Threshold D

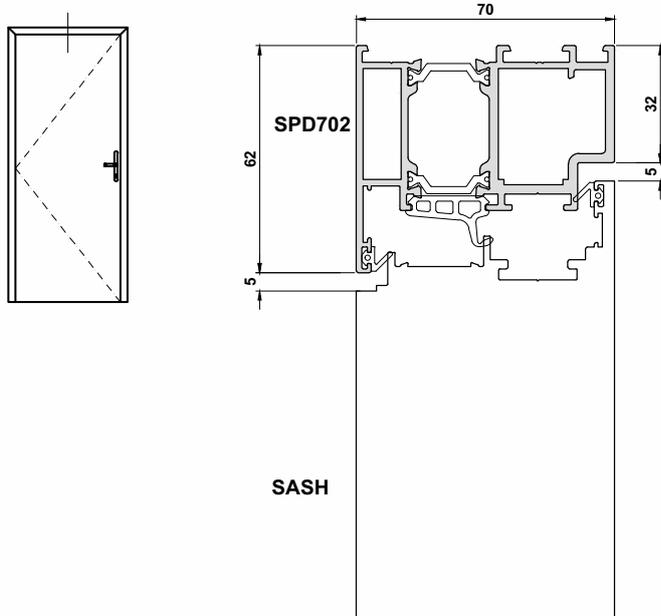
SPD703 Low Threshold & ETC457 150mm Cill



# Technical

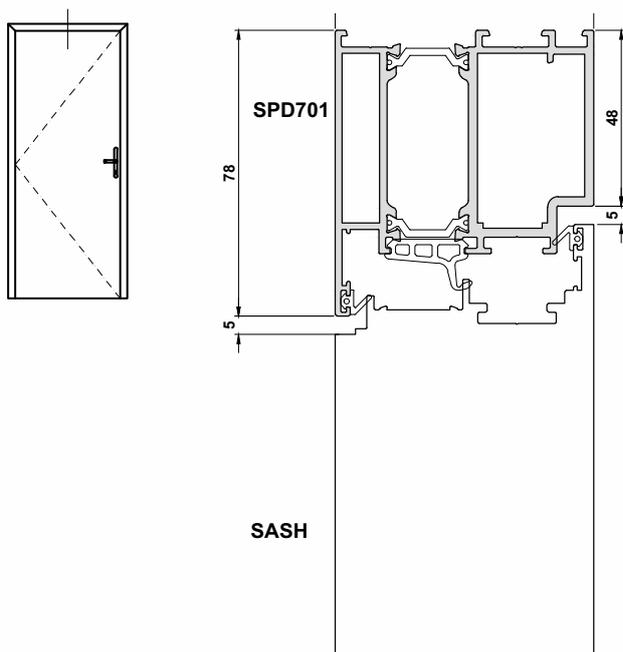
## Head 1

### SPD702 Outer Frame



## Head 2

### SPD701 Deep Outer Frame



Duration Windows  
Thames Development  
Charfleets Road  
Canvey Island  
Essex. SS8 0PQ

[sales@duration.co.uk](mailto:sales@duration.co.uk)  
[www.duration.co.uk](http://www.duration.co.uk)

**Head Office** 01268 681612  
**Showroom** 01268 695100